





Europäisches  
Patentamt  
European Patent  
Office  
Office européen  
des brevets

Description of DE4240187

Print

Copy

Contact Us

Close

## Result Page

Notice: This translation is produced by an automated process; it is intended only to make the technical content of the original document sufficiently clear in the target language. This service is not a replacement for professional translation services. The esp@cenet® Terms and Conditions of use are also applicable to the use of the translation tool and the results derived therefrom.

[0001] The invention concerns a procedure for the announcement of information about television programs one, won from videotex signals, transmitter on a screen, which can be received.

[0002] Such procedures are general well-known and in television sets or video recorders, which are equipped with broadcast videotex decoders, to large extent are used. If the viewer of such an equipment information about the television programs of a certain transmitter wishes, then he must this transmitter in its television set and/or. Video recorders adjust and to this transmitter the appropriate broadcast videotex page select, which the television programs contain. The television programs of the transmitters are contained with the videotex signals radiated today in the boards 300 and the following. The broadcast videotex page 303 contains for example a program summary of those television programs, which are radiated in the evening with the accordingly adjusted transmitter.

### State of the art

[0003] Each transmitter radiates its own television program summary sides over videotex. If the user wants to be informed about the current program of a transmitter fast, then he must thus always adjust the appropriate transmitter and select the suitable videotex program board with the television programs.

[0004] So far for it at least four key actuations are necessary. On the one hand the user, if the desired program is already adjusted, must call videotex by unique pressing of a videotex call key and press then a three-figure number, around the broadcast videotex page concerned, z. B. to select 303. If the user would like to become acquainted with the program straight of an not adjusted transmitter, then he must change additionally by a fifth depressing the key also still on the straight adjusted transmitter.

[0005] In the still unpublished EP 91,161,628 the Anmelderin is described a procedure, with which the videotex information straight of a not received television program at the screen is representable. In addition, this procedure only plans that the videotex information of only one transmitter received is represented and, so that likewise at least four key actuations on the remote maintenance are necessary, in order to call the videotex information of this transmitter.

[0006] Such a procedure is pedantic. A possibility this procedure to simplify, is for example well-known from the DE 36 40 436 A1. There a remote maintenance for equipment with digital co-ordination system and means is intended to the videotex receipt, which exhibit opposite the operating keys for the program selection, change-over on videotex receipt as well as the remaining further key set off at the equipment to steering functions. With this further key the receiver becomes, z. B. the television set, both at the same time to videotex receipt and switched on the program appropriate television program page of the videotex received in each case.

[0007] The advantage of this procedure is in it that the user must use only a key, in order with a desired transmitter the appropriate television programs at the screen in the form of broadcast videotex pages represented to get. Problematic with this procedure is however that the user must adjust in any case appropriate transmitter, about whose television programs it to be informed wants. This can be hinderlich in particular then, if the user pursues a for example straight exciting film at the screen and wants not to interrupt or he does not know concretely however, to which transmitter it to switch would like, thus if he does not have concrete conceptions over it, which is offered on the other channels at television programs.

[0008] Here the invention sets.

### Setting of tasks

[0009] The invention is the basis the task to indicate a procedure and a switching configuration for the execution of the procedure with which it is possible for the user of a receiver with inserted broadcast videotex decoder, in simple way fast about the offered television programs from its receiver to which can be received of the transmitters to be informed, without between these transmitters back and forth to switch to have.

[0010] This task is solved for the procedure by the characteristics of the patent claim 1 and for the switching configuration by the characteristics of the patent claim 6.

[0011] Training further the invention are the subject of the Unteransprüche back-referred to these requirements.

[0012] A particularly simple execution form for the execution of the procedure according to invention exists in the use of a television set with a video recorder, which is connected by a video signal line and a data line and which exhibits at least one broadcast videotex decoder. Over control equipment in the television set or video recorder the receipt mechanisms can, how Tuner and intermediate frequency stage are used, anyway existing in these two devices, for the receipt one of the user at the screen television program which can be regarded, while the other receiving element, consisting of Tuner and intermediate frequency stage, the remaining transmitters ?absconded?, in order to win of it the appropriate videotex

signals of the other transmitters and to put the information down about the associated television programs in a storage facility. The control equipment generates then from all stored television programs of the transmitters one or more broadcast videotex pages, which contain the television programs time and/or topic-oriented.

[0013] In an execution form points anyway at the television set and/or. Video recorder existing remote maintenance an additional key up, with whose manipulation the control equipment is arranged to let at the time of pressing this key the television programs time and/or topic-oriented at the screen, radiated by the different transmitters, appear. This mode can be switched off by a further pressing of this additional key again.

[0014] The invention is exemplarily more near described in the following on the basis altogether five figures. Show:

[0015] Fig. 1 a block diagram of a possible execution form of a switching configuration according to invention,

[0016] Fig. 2 a screen with an time-oriented listing at a certain time straight television programs sent by the different receivable transmitters,

[0017] Fig. 3 a representation as in Fig. 2, whereby however a time window is intended,

[0018] Fig. 4 a screen with an topic-oriented listing of television programs, and

[0019] Fig. 5 a menu represented on a screen, at which the user can enter the Auswahlkriterien time and/or topic-oriented listing of the television programs at the screen under evaluation of the received videotex signals.

[0020] In Fig. 1 is represented a possible block diagram for a switching configuration according to invention for the announcement of from videotex signals won information about television programs of receivable transmitter on a screen. For the receiving of videotex signals thereby a television set or a video recorder can be used. This receiver exhibits for this first a well-known structure, which is described for example in the DE 34 43 630 A1 and is taken here on their contents expressly purchase.

[0021] The switching configuration orders for example to the receipt of television signals over a first receipt mechanism 2 in form of a Tuners with intermediate frequency stage downstream. The composite color picture signal at the output measurable at this first receipt stage is supplied on the one hand to a color decoder stage 3 with RGB stage downstream 4. The exit of these RGB stage 4 is attached to a picture tube 5. The first receipt mechanism 2 is additionally output with a synchronisation mechanism 6 with more in the following and a scanning stage 7 for the horizontal and field sweep connected. The scanning stage 7 stands with the picture tube 5 in well-known way in connection.

[0022] To the receipt of videotex signals orders in Fig. 1 represented switching configuration over a broadcast videotex decoder mechanism 8, which likewise stands with the exit of the first receipt mechanism 2 in connection. The broadcast videotex decoder mechanism 8 stands at the output with the RGB stage 4 in connection, in order to be able to represent the videotex signals contained in the television signals and the picture information derived from it in the broadcast videotex decoder in the form of broadcast videotex pages at the screen. The broadcast videotex decoder mechanism 8 is with a storage facility 1 in connection, in which the received videotex information can be stored.

[0023] The switching configuration described so far exhibits a conventional structure of a television set with broadcast videotex decoder.

[0024] In accordance with the invention this switching configuration is extended in such a way that the videotex signals straight of a received transmitter at the screen cannot only be represented, but the videotex signals from at least two different transmitters to be received and these received videotex signals time and/or topic-oriented arranged to at least one broadcast videotex page and to the announcement on the screen to be brought be able.

[0025] For this the switching configuration in Fig sees. 1 a second receipt mechanism 10 forwards, which stands also at the input side with the antenna 1 in connection and is formed again from a Tuner with intermediate frequency stage downstream. The second receipt mechanism 10 with a second broadcast videotex decoder mechanism 9 in connection is output in this remark example. The second broadcast videotex decoder mechanism 9 has likewise a storage facility for storing received videotex information. For the sake of simplicity can for this, as in Fig. 1 to be shown, only a common storage facility 11 be planned, in which both the videotex signals of the first broadcast videotex decoder mechanism 8 and the second broadcast videotex decoder mechanism 9 can be stored. Of course also separate memory can be used for this. It is beyond that also possible that only one broadcast videotex decoder mechanism is only used, which is at the input side over a switching device either to the exit of the first receipt mechanism 2 or the second receipt mechanism 10 adjustable.

[0026] Additionally orders in Fig. 1 represented switching configuration over control equipment 12, which will in detail still have to be described and with the first broadcast videotex decoder mechanism 8, to which second broadcast videotex decoder mechanism 9 as well as the storage facility 11 in connection is located.

[0027] The function mode of the switching configuration of Fig. 1 presents itself as follows. If the user of this switching configuration wants to receive for example a certain television program, then he will stop the first receipt mechanism 2 by means of a remote maintenance to the appropriate Empfangsfrequenz. He can pursue then at the screen B of the picture tube 5 the selected television program and if he wants to regard videotex information sent by this transmitter, over which the broadcast videotex pages belonging to this transmitter call first broadcast videotex decoder up 8. The second receipt mechanism 10 works in the background and queries the remaining receivable transmitters after their videotex information. In addition the second receipt mechanism 10 is switched for example over a well-known digital co-ordination system and this co-ordination system steering mechanism briefly to the respective transmitter frequencies so that their videotex information is put down in the storage facility 11 over the second broadcast videotex decoder mechanism 10. In accordance with the invention in the storage facility 11 all receivable videotex information of the television programs of the receivable transmitters is put down. The control equipment 12 serves for it, this information put down in the storage facility 11 time and/or topic-orients to arrange, one or more broadcast videotex pages necessary for it with the help of that or the broadcast videotex decoder mechanisms 8 to form and bring afterwards on request of the user to the announcement at the screen B of the picture tube 5 9.

[0028] With television sets, which are equipped with two receipt mechanisms anyway, thus such, which are suitable for picture in picture the insertion, and which exhibit a broadcast videotex decoder, the additional expenditure is limited for the execution of the procedure according to invention only to the special arrangement of the control equipment 12 and possibly planning a larger storage facility 11 for storing the broadcast videotex pages of the different transmitters.

[0029] One receives a particularly simple execution form if a television set with inserted broadcast videotex decoder and a Videorecorder with inserted broadcast videotex decoder are present already. Television set and video recorders are connected by their Scart socket. Additionally if a data line between televisions and video recorders is planned and accommodated in one of these two receivers control equipment according to invention 12, the procedure according to invention can be implemented in simple way. The data line between video recorders and television set is appropriately not specially planned but over the data line planned anyway with the Scart socket, the so-called D < 2 > B-bus realizes. The

control equipment 12 arranges then the receipt mechanism working in the background to the Abscannen the videotex signals sending remaining transmitter.

[0030] Fig. a possible example of a screen representation points 2, with to a certain time - here at the time 20,14 o'clock - straight current television programs. The representation is selected in such a way with the fact that the broadcasting station, which appears arranged according to broadcasting stations program duration and the respective program at the screen.

[0031] In an execution form points anyway at the television set and/or. Video recorder existing remote maintenance an additional key up, with whose manipulation the control equipment is arranged to let at the time of pressing this key the television programs time and/or topic-oriented at the screen, radiated by the different transmitters, appear. This mode can be switched off by a further pressing of this additional key again.

[0032] The representation of Fig. 3 differs from in Fig. by the fact 2 that a time window, which can be entered by the user over the remote maintenance, is intended and that the programs of the individual transmitters at the screen, intended in this time window - here 16 o'clock to 18 o'clock -, are listed.

[0033] The representation of Fig. 4 is an topic-oriented representation. If the user would like to know for example whether at a certain date transmissions are radiated to a certain topic, then it can likewise select this over the remote maintenance according to desire.

[0034] A possible prompting to the selection time and/or topic-oriented listing of the desired television programs can for example as in Fig. 5 represented, look. Over one for example on the remote maintenance planned special key and/or. Press a special combination of keys, the menu of Fig becomes. 5 called, that the user for the time, for a time window, a date and/or a topic which can be listed asks. Over his remote maintenance the user can enter then the appropriate information. On the basis of this information the control equipment 12 is then arranged to arrange the stored videotex information according to the time-oriented and/or topic-oriented selection.

[0035] A further easement for the evaluation of the television programs of different transmitters represented at the screen results if in the switching configuration of Fig. 1 additionally means intended are, by which an individual program can be selected over an electrooptical marking and be noted automatically this television program due to this marking can. Such a procedure for automatic noting from television programs to selection from videotex program boards is well-known from the EP 0,191,149 B1. Also this block letters are hereby introduced by express reference.

[0036] With the procedure according to invention and the switching configuration the user comfort is continued to increase for evaluating the information contained in the videotex signals.

▲ top



DEUTSCHES  
PATENTAMT

21 Aktenzeichen: P 42 40 187.9  
22 Anmeldetag: 30. 11. 92  
43 Offenlegungstag: 1. 6. 94

DE 42 40 187 A 1

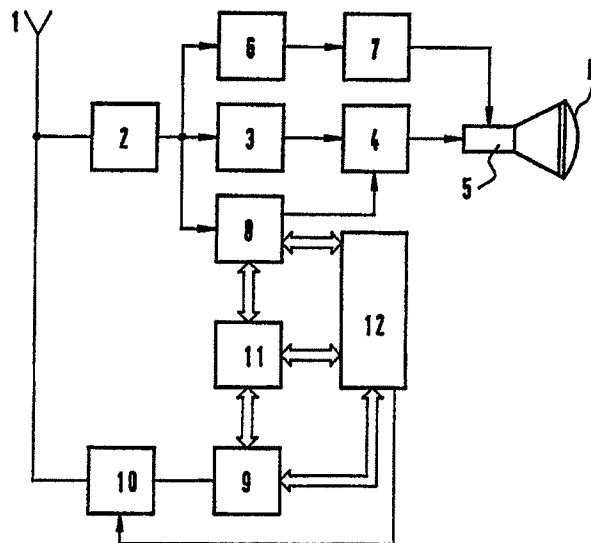
71 Anmelder:  
Siemens AG, 80333 München, DE

72 Erfinder:  
Geffcken, Walter, 8000 München, DE

Prüfungsantrag gem. § 44 PatG ist gestellt

54 Verfahren zum Anzeigen von aus Videotextsignalen gewonnenen Informationen auf einem Bildschirm und Vorrichtung zur Durchführung des Verfahrens

57 Das Verfahren sieht vor, mehrere Videotextsignalquellen zu empfangen und die in den verschiedenen Videotextsignalquellen enthaltenen Informationen zeit- und/oder themenorientiert auf einem Bildschirm (B) darzustellen. Enthalten die empfangenen Videosignale beispielsweise jeweils Informationen über Fernsehprogrammbeiträge eines Senders, so kann durch das erfindungsgemäße Verfahren eine Videotexttafel erzeugt werden, die sämtliche Fernsehprogrammbeiträge der verschiedenen Sender auf einer Videotexttafel darstellt ohne zwischen den einzelnen Sendern umschalten zu müssen.



DE 42 40 187 A 1

Die Erfindung betrifft ein Verfahren zum Anzeigen von aus Videotextsignalen gewonnenen Informationen über Fernsehprogrammbeiträge eines zu empfangenden Senders auf einem Bildschirm.

Derartige Verfahren sind allgemein bekannt und werden in Fernsehgeräten oder Videorecordern, die mit Videotextdecodern ausgestattet sind, in großem Umfang benutzt. Wünscht der Fernsehzuschauer eines solchen Gerätes Informationen über die Fernsehprogrammbeiträge eines bestimmten Senders, so muß er diesen Sender in seinem Fernsehgerät bzw. Videorecorder einstellen und zu diesem Sender die entsprechende Videotexttafel anwählen, die die Fernsehprogrammbeiträge enthalten. Die Fernsehprogrammbeiträge der Sender sind bei den heute ausgestrahlten Videotextsignalen in den Tafeln 300 und folgende enthalten. Die Videotexttafel 303 enthält beispielsweise eine Programmübersicht derjenigen Fernsehprogrammbeiträge, die am Abend bei dem entsprechend eingestellten Sender ausgestrahlt werden.

Jeder Sender strahlt seine eigenen Fernsehprogrammübersichtsseiten über Videotext aus. Will der Benutzer über das laufende Programm eines Senders schnell informiert werden, so muß er also stets den entsprechenden Sender einstellen und die passende Videotextprogrammtafel mit den Fernsehprogrammbeiträgen anwählen.

Bisher sind dafür mindestens vier Tastenbetätigungen notwendig. Zum einen muß der Benutzer, sofern das gewünschte Programm bereits eingestellt ist, Videotext durch einmaliges Drücken einer Videotextaufruftaste aufrufen und dann eine dreistellige Ziffer drücken, um die betreffende Videotexttafel, z. B. 303 anzuwählen. Möchte der Benutzer das Programm eines gerade nicht eingestellten Senders kennenlernen, so muß er zusätzlich durch einen fünften Tastendruck auch noch auf den gerade eingestellten Sender wechseln.

In der noch unveröffentlichten EP 91 161 628 der Anmelderin ist zwar ein Verfahren beschrieben, bei welchem die Videotextinformation eines gerade nicht empfangenen Fernsehprogrammes am Bildschirm darstellbar ist. Dieses Verfahren sieht aber auch nur vor, daß die Videotextinformation eines einzigen Senders empfangen und dargestellt wird, so daß ebenfalls mindestens vier Tastenbetätigungen auf der Fernbedienung nötig sind, um die Videotextinformation dieses Senders aufzurufen.

Ein solches Vorgehen ist umständlich. Eine Möglichkeit dieses Verfahrens zu vereinfachen, ist beispielsweise aus der DE 36 40 436 A1 bekannt. Dort ist eine Fernbedienung für ein Gerät mit digitalem Abstimmssystem und Mitteln zum Videotext-Empfang vorgesehen, das eine gegenüber den Bedienungstasten für die Programmwahl, Umschaltung auf Videotext-Empfang sowie der übrigen am Gerät zu steuernden Funktionen abgesetzte weitere Taste aufweist. Mit dieser weiteren Taste wird der Empfänger, z. B. das Fernsehgerät, sowohl gleichzeitig auf Videotext-Empfang als auch auf eine dem jeweils empfangenen Programm entsprechende Fernsehprogramm-Seite des Videotextes umgeschaltet.

Der Vorteil dieses Verfahrens liegt darin, daß der Benutzer nur noch eine Taste benutzen muß, um bei einem gewünschten Sender die entsprechende Fernsehprogrammbeiträge am Bildschirm in Form von Videotexttafeln dargestellt zu bekommen. Problematisch bei diesem Verfahren ist jedoch, daß der Benutzer auf jeden

Fall den entsprechenden Sender einstellen muß, über dessen Fernsehprogrammbeiträge er informiert werden will. Dies kann insbesondere dann hinderlich sein, wenn der Benutzer beispielsweise gerade einen spannenden Film am Bildschirm verfolgt und nicht unterbrechen will oder er aber nicht konkret weiß, auf welchen Sender er umschalten möchte, also dann, wenn er keine konkreten Vorstellungen darüber hat, was auf den anderen Kanälen an Fernsehprogrammbeiträgen angeboten wird.

Hier setzt die Erfindung an.

Der Erfindung liegt die Aufgabe zugrunde, ein Verfahren und eine Schaltungsanordnung zur Durchführung des Verfahrens anzugeben, mit dem es dem Benutzer eines Empfangsgerätes mit eingebautem Videotextdecoder möglich ist, in einfacher Weise schnell über die angebotenen Fernsehprogrammbeiträge der von seinem Empfangsgerät zu empfangenden Sender informiert zu werden, und zwar ohne zwischen diesen Sendern hin und her schalten zu müssen.

Diese Aufgabe wird für das Verfahren durch die Merkmale des Patentanspruchs 1 und für die Schaltungsanordnung durch die Merkmale des Patentanspruchs 6 gelöst.

Weiterbildungen der Erfindung sind Gegenstand der auf diese Ansprüche zurückbezogenen Unteransprüche.

Eine besonders einfache Ausführungsform zur Durchführung des erfindungsgemäßen Verfahrens besteht in der Verwendung eines Fernsehgerätes mit einem Videorecorder, die über eine Videosignalleitung und Datenleitung miteinander verbunden sind und die mindestens einen Videotextdecoder aufweisen. Über eine Steuereinrichtung im Fernsehgerät oder Videorecorder können die ohnehin in diesen beiden Geräten vorhandenen Empfangseinrichtungen, wie Tuner und ZF-Stufe, zum Empfang eines vom Benutzer am Bildschirm zu betrachtendes Fernsehprogramm verwendet werden, während das andere Empfangsteil, bestehend aus Tuner und ZF-Stufe, die übrigen Sender "abscanned", um daraus die entsprechenden Videotextsignale der anderen Sender zu gewinnen und die Informationen über die zugehörigen Fernsehprogrammbeiträge in einer Speichereinrichtung abzulegen. Die Steuereinrichtung generiert dann aus sämtlichen abgespeicherten Fernsehprogrammbeiträgen der Sender eine oder mehrere Videotexttafeln, die die Fernsehprogrammbeiträge zeit- und/oder themenorientiert enthalten.

In einer Ausführungsform weist die ohnehin am Fernsehgerät bzw. Videorecorder vorhandene Fernbedienung eine zusätzliche Taste auf, bei deren Betätigung die Steuereinrichtung veranlaßt wird, die zum Zeitpunkt des Drückens dieser Taste von den verschiedenen Sendern ausgestrahlten Fernsehprogrammbeiträge zeit- und/oder themenorientiert am Bildschirm erscheinen zu lassen. Durch ein weiteres Betätigen dieser zusätzlichen Taste kann dieser Modus wieder abgeschaltet werden.

Die Erfindung wird im folgenden anhand von insgesamt fünf Figuren beispielhaft näher erläutert. Es zeigen:

Fig. 1 ein Blockschaltbild einer möglichen Ausführungsform einer erfindungsgemäßen Schaltungsanordnung,

Fig. 2 einen Bildschirm mit einer zeitorientierten Auflistung der zu einem bestimmten Zeitpunkt von den unterschiedlichen empfangbaren Sendern gerade ausgesendeten Fernsehprogrammbeiträge,

Fig. 3 eine Darstellung wie in Fig. 2, wobei allerdings ein Zeitfenster vorgesehen ist,

Fig. 4 einen Bildschirm mit einer themenorientierten

Auflistung von Fernsehprogrammbeiträgen, und

Fig. 5 ein auf einem Bildschirm dargestelltes Menü, an dem der Benutzer die Auswahlkriterien einer zeit- und/oder themenorientierte Auflistung der Fernsehprogrammbeiträge am Bildschirm unter Auswertung der empfangenen Videotextsignale eingeben kann.

In Fig. 1 ist ein mögliches Blockschaltbild für eine erfindungsgemäße Schaltungsanordnung zum Anzeigen von aus Videotextsignalen gewonnenen Informationen über Fernsehprogrammbeiträge von empfangbaren Sender auf einem Bildschirm dargestellt. Zum Empfangen von Videotextsignalen kann dabei ein Fernsehgerät oder Videorecorder verwendet werden. Dieses Empfangsgerät weist hierfür zunächst einen bekannten Aufbau auf, der beispielsweise in der DE 34 43 630 A1 beschrieben ist und auf deren Inhalt hier ausdrücklich Bezug genommen wird.

Die Schaltungsanordnung verfügt beispielsweise zum Empfang von Fernsehsignalen über eine erste Empfangseinrichtung 2 in Form eines Tuners mit nachgeschalteter ZF-Stufe. Das an dieser ersten Empfangsstufe ausgangsseitig abgreifbare FBAS-Signal wird einerseits einer Farbdecoderstufe 3 mit nachgeschalteter RGB-Stufe 4 zugeführt. Der Ausgang dieser RGB-Stufe 4 ist an eine Bildröhre 5 angeschlossen. Die erste Empfangseinrichtung 2 ist zusätzlich ausgangsseitig mit einer Synchronisationseinrichtung 6 mit nachfolgender und einer Ablenkstufe 7 zur Horizontal- und Vertikalablenkung verbunden. Die Ablenkstufe 7 steht mit der Bildröhre 5 in bekannter Weise in Verbindung.

Zum Empfang von Videotextsignalen verfügt die in Fig. 1 dargestellte Schaltungsanordnung über eine Videotextdecodereinrichtung 8, welche ebenfalls mit dem Ausgang der ersten Empfangseinrichtung 2 in Verbindung steht. Die Videotextdecodereinrichtung 8 steht ausgangsseitig mit der RGB-Stufe 4 in Verbindung, um die in den Fernsehsignalen enthaltenen Videotextsignale und die daraus im Videotextdecoder abgeleitete Bildinformation in Form von Videotexttafeln am Bildschirm darstellen zu können. Die Videotextdecodereinrichtung 8 ist mit einer Speichereinrichtung 1 in Verbindung, in der die empfangene Videotextinformation abgespeichert werden kann.

Die bisher beschriebene Schaltungsanordnung weist einen herkömmlichen Aufbau eines Fernsehgerätes mit Videotextdecoder auf.

Gemäß der Erfindung wird diese Schaltungsanordnung so erweitert, daß nicht nur die Videotextsignale eines gerade empfangenen Senders am Bildschirm dargestellt werden können, sondern die Videotextsignale von mindestens zwei unterschiedlichen Sendern empfangen werden und diese empfangenen Videotextsignale zeit- und/oder themenorientiert zu mindestens einer Videotexttafel zusammengestellt und zur Anzeige auf dem Bildschirm gebracht werden können.

Hierfür sieht die Schaltungsanordnung in Fig. 1 eine zweite Empfangseinrichtung 10 vor, die auch eingangsseitig mit der Antenne 1 in Verbindung steht und wiederum aus einem Tuner mit nachgeschalteter ZF-Stufe gebildet ist. Ausgangsseitig ist in diesem Ausführungsbeispiel die zweite Empfangseinrichtung 10 mit einer zweiten Videotextdecodereinrichtung 9 in Verbindung. Die zweite Videotextdecodereinrichtung 9 verfügt ebenfalls über eine Speichereinrichtung zum Speichern von empfangenen Videotextinformationen. Der Einfachheit halber kann hierfür, wie in Fig. 1 gezeigt, nur eine gemeinsame Speichereinrichtung 11 vorgesehen werden, in der sowohl die Videotextsignale der ersten

Videotextdecodereinrichtung 8 als auch der zweiten Videotextdecodereinrichtung 9 gespeichert werden können. Selbstverständlich können auch getrennte Speicher hierfür verwendet werden. Es ist darüber hinaus auch möglich, daß lediglich eine einzige Videotextdecodereinrichtung verwendet wird, die eingangsseitig über eine Schalteinrichtung entweder an den Ausgang der ersten Empfangseinrichtung 2 oder der zweiten Empfangseinrichtung 10 schaltbar ist.

Zusätzlich verfügt die in Fig. 1 dargestellte Schaltungsanordnung über eine Steuereinrichtung 12, die im einzelnen noch zu erläutern sein wird und mit der ersten Videotextdecodereinrichtung 8, der zweiten Videotextdecodereinrichtung 9 sowie der Speichereinrichtung 11 in Verbindung steht.

Die Funktionsweise der Schaltungsanordnung von Fig. 1 stellt sich wie folgt dar. Will der Benutzer dieser Schaltungsanordnung beispielsweise ein bestimmtes Fernsehprogramm empfangen, so wird er die erste Empfangseinrichtung 2 mittels einer Fernbedienung auf die entsprechende Empfangsfrequenz einstellen. Er kann dann am Bildschirm B der Bildröhre 5 das gewählte Fernsehprogramm verfolgen und falls er eine von diesem Sender ausgesendete Videotextinformation betrachten will, über den ersten Videotextdecoder 8 die zu diesem Sender gehörenden Videotexttafeln abrufen. Die zweite Empfangseinrichtung 10 arbeitet im Hintergrund und fragt die übrigen empfangbaren Sender nach deren Videotextinformationen ab. Dazu wird die zweite Empfangseinrichtung 10 beispielsweise über ein bekanntes digitales Abstimmssystem und eine dieses Abstimmssystem steuernde Einrichtung kurzzeitig auf die jeweiligen Sendefrequenzen geschaltet und zwar so, daß deren Videotextinformationen in der Speichereinrichtung 11 über die zweite Videotextdecodereinrichtung 10 abgelegt werden. Gemäß der Erfindung werden in der Speichereinrichtung 11 sämtliche empfangbaren Videotextinformationen der Fernsehprogrammbeiträge der empfangbaren Sender abgelegt. Die Steuereinrichtung 11 dient dazu, diese in der Speichereinrichtung 11 abgelegte Information zeit- und/oder themenorientiert zusammenzustellen, eine oder mehrere dafür notwendige Videotexttafeln mit Hilfe der oder den Videotextdecodereinrichtungen 8, 9 zu bilden und anschließend auf Aufforderung des Benutzers zur Anzeige am Bildschirm B der Bildröhre 5 zu bringen.

Bei Fernsehgeräten, die ohnehin mit zwei Empfangseinrichtungen ausgestattet sind, also solchen, die zur Bild-in-Bild-Einblendung geeignet sind, und die einen Videotextdecoder aufweisen, beschränkt sich der zusätzliche Aufwand zur Durchführung des erfindungsgemäßen Verfahrens lediglich auf die besondere Ausgestaltung der Steuereinrichtung 12 und möglicherweise das Vorsehen einer größeren Speichereinrichtung 11 zum Abspeichern der Videotexttafeln der unterschiedlichen Sender.

Eine besonders einfache Ausführungsform erhält man dann, wenn bereits ein Fernsehgerät mit eingebautem Videotextdecoder und ein Videorecorder mit eingebautem Videotextdecoder vorhanden sind. Fernsehgerät und Videorecorder sind über deren Scart-Buchse miteinander verbunden. Wird zusätzlich eine Datenleitung zwischen Fernseher und Videorecorder vorgesehen und in einem dieser beiden Empfangsgeräte eine erfindungsgemäße Steuereinrichtung 12 untergebracht, kann das erfindungsgemäße Verfahren in einfacher Weise ausgeführt werden. Die Datenleitung zwischen Videorecorder und Fernsehgerät wird zweckmäßigerweise nicht

extra vorgesehen sondern über die ohnehin bei der Scart-Buchse vorgesehenen Datenleitung, den sogenannten D<sup>2</sup>B-Bus realisiert. Die Steuereinrichtung 12 veranlaßt dann die im Hintergrund arbeitende Empfangseinrichtung zum Abscannen der die Videotextsignale sendenden übrigen Sender.

Fig. 2 zeigt ein mögliches Beispiel einer Bildschirmdarstellung, mit den zu einem bestimmten Zeitpunkt — hier zum Zeitpunkt 20.14 Uhr — gerade laufenden Fernsehprogrammbeiträge. Die Darstellung ist dabei so gewählt, daß die Sendeanstalt, die Programmdauer und das jeweilige Programm nach Sendeanstalten geordnet am Bildschirm erscheint.

In einer Ausführungsform weist die ohnehin am Fernsehgerät bzw. Videorecorder vorhandene Fernbedienung eine zusätzliche Taste auf, bei deren Betätigung die Steuereinrichtung veranlaßt wird, die zum Zeitpunkt des Drückens dieser Taste von den verschiedenen Sendern ausgestrahlten Fernsehprogrammbeiträge zeit- und/oder themenorientiert am Bildschirm erscheinen zu lassen. Durch ein weiteres Betätigen dieser zusätzlichen Taste kann dieser Modus wieder abgeschaltet werden.

Die Darstellung von Fig. 3 unterscheidet sich von der in Fig. 2 dadurch, daß ein Zeitfenster, das vom Benutzer über die Fernbedienung eingegeben werden kann, vorgesehen ist und daß die in diesem Zeitfenster — hier 16 Uhr bis 18 Uhr — vorgesehenen Programmbeiträge der einzelnen Sender am Bildschirm aufgelistet werden.

Die Darstellung von Fig. 4 ist eine themenorientierte Darstellung. Möchte der Benutzer beispielsweise wissen, ob an einem bestimmten Datum Sendungen zu einem bestimmten Thema ausgestrahlt werden, so kann er dies ebenfalls über die Fernbedienung nach Wunsch auswählen.

Eine mögliche Benutzerführung zur Auswahl der zeit- und/oder themenorientierten Auflistung der gewünschten Fernsehprogrammbeiträge kann beispielsweise wie in Fig. 5 dargestellt, aussehen. Über eine beispielsweise auf der Fernbedienung vorgesehene besondere Taste bzw. Drücken einer besonderen Tastenkombination, wird das Menü von Fig. 5 aufgerufen, das dem Benutzer nach der Zeit, nach einem Zeitfenster, einem Datum und/oder einem aufzulistendem Thema fragt. Über seine Fernbedienung kann der Benutzer dann die entsprechende Information eingeben. Ausgehend von dieser Information wird dann die Steuereinrichtung 12 veranlaßt, die gespeicherte Videotextinformation entsprechend der zeitorientierten und/oder themenorientierten Auswahl zusammenzustellen.

Eine weitere Erleichterung zur Auswertung der am Bildschirm dargestellten Fernsehprogrammbeiträge unterschiedlicher Sender ergibt sich dann, wenn in der Schaltungsanordnung von Fig. 1 zusätzlich Mittel vorgesehen sind, durch die ein einzelner Programmbeitrag über eine elektro-optische Markierung ausgewählt werden kann und dieser Fernsehprogrammbeitrag automatisch aufgrund dieser Markierung aufgezeichnet werden kann. Ein solches Verfahren zum automatischen Aufzeichnen von Fernsehprogrammen nach Auswahl aus Videotext-Programmtafeln ist aus der EP 0 191 149 B1 bekannt. Auch diese Druckschrift wird durch ausdrücklichen Bezugnahme hiermit eingeführt.

Mit dem erfindungsgemäßen Verfahren und der Schaltungsanordnung wird der Benutzerkomfort zum Auswerten der in den Videotextsignalen enthaltenen Informationen weiter erhöht.

1. Verfahren zum Anzeigen von aus Videotextsignalen gewonnenen Informationen über Fernsehprogrammbeiträge eines empfangenen Senders auf einem Bildschirm, dadurch gekennzeichnet, daß die Videotextsignale von mindestens zwei unterschiedlichen Sendern empfangen werden und diese empfangenen Videosignale zeit- und/oder themenorientiert zu mindestens einer Videotexttafel zusammengestellt und zur Anzeige auf dem Bildschirm gebracht werden.

2. Verfahren nach Anspruch 1, dadurch gekennzeichnet, daß die zeitorientierte Zusammenstellung ein Zeitfenster vorsieht, das sämtliche in diesem Zeitfenster liegenden Fernsehprogrammbeiträge der empfangenen Sender enthält.

3. Verfahren nach Anspruch 1, dadurch gekennzeichnet, daß die zeitorientierte Zusammenstellung vorsieht, die in einem vorgegebenen Zeitpunkt gerade laufenden Fernsehprogrammbeiträge der die Videotextsignale aussendenden Sender gleichzeitig am Bildschirm darzustellen.

4. Verfahren nach einem der Ansprüche 1 bis 3, dadurch gekennzeichnet, daß bei der themenorientierten Zusammenstellung der Fernsehprogrammbeiträge der empfangenen Sender insbesondere die Themen Sport, Nachrichten und Spielfilme auswählbar sind.

5. Verfahren nach einem der Ansprüche 1 bis 4, dadurch gekennzeichnet, daß die am Bildschirm anzeigbaren Fernsehprogrammbeiträge der unterschiedlichen Sender durch eine elektro-optische Markierung kennzeichnbar sind und nach Maßgabe dieses markierten Fernsehbeitrages ein Videoaufzeichnungsgerät zum Aufzeichnen des markierten Fernsehbeitrages über eine Steuereinrichtung aktivierbar ist.

6. Schaltungsanordnung zur Durchführung des Verfahrens nach einem der Ansprüche 1 bis 5, dadurch gekennzeichnet, daß eine Empfangseinrichtung (2, 10) mit einem Videotextdekodier (8, 9) vorgesehen ist, wobei die Empfangseinrichtung (2, 10) so ausgestaltet ist, daß sie unabhängig von einem gerade empfangenen Fernsehprogramm die übrigen von anderen Sendern ausgestrahlte Videotextsignale empfangen und mindestens teilweise in einer Speichereinrichtung (11) abspeichern kann und über eine Steuereinrichtung (12) mindestens teilweise zur zeit- und/oder themenorientierten Anzeige bringt.

7. Schaltungsanordnung nach Anspruch 6, dadurch gekennzeichnet, daß die Empfangseinrichtung (2, 10) einen ersten Empfangsteil (2) und einen zweiten Empfangsteil (10) aufweist, wobei der erste Empfangsteil (2) zum Empfangen eines gerade am Bildschirm (B) zu betrachtenden Fernsehprogrammes eines Senders vorgesehen ist und das zweite Empfangsteil (10) die übrigen empfangbaren Sender so empfängt, daß deren Videotextsignale in einem Videotextdecoder (9) decodierbar und die Informationen über die jeweiligen Fernsehprogrammbeiträge speicherbar und zur zeit- und/oder themenorientierten Anzeige bringbar sind.

8. Schaltungsanordnung nach Anspruch 7, dadurch gekennzeichnet, daß als erstes und zweites Empfangsteil (2, 10) ein Fernsehgerät und ein Videorecorder verwendet wird, daß das Fernsehgerät und



der Videorecorder über eine Videosignalleitung und über eine Datenleitung miteinander verbunden sind und daß eine Steuereinrichtung (12) vorgesehen ist, die über die Datenleitung das Fernsehgerät und den Videorecorder so steuert, daß ein Empfangsteil (2) ein am Bildschirm zu betrachtendes Fernsehprogramm empfängt und das andere Empfangsteil (10) zum Empfangen der anderen Videotextsignale vorgesehen ist.

9. Schaltungsanordnung nach Anspruch 8, dadurch gekennzeichnet, daß Scart-Buchsen am Fernsehgerät und Videorecorder vorgeben sind und die Daten- und Videosignalleitung an diese Scart-Buchsen geschaltet sind.

Hierzu 2 Seite(n) Zeichnungen

15

20

25

30

35

40

45

50

55

60

65

- Leerseite -

FIG 1

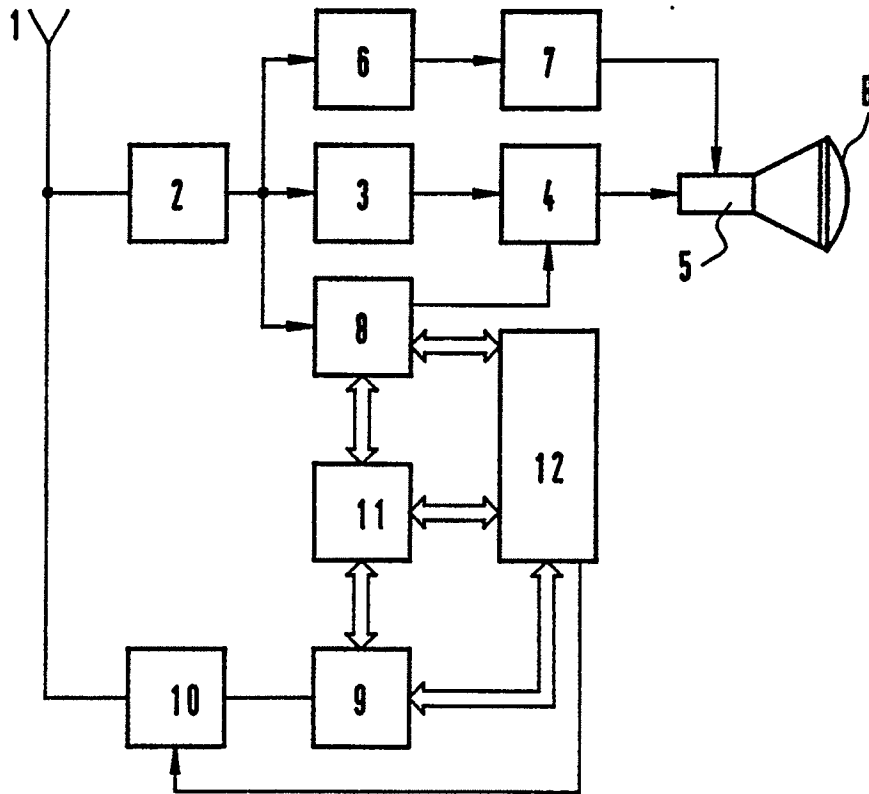


FIG 2

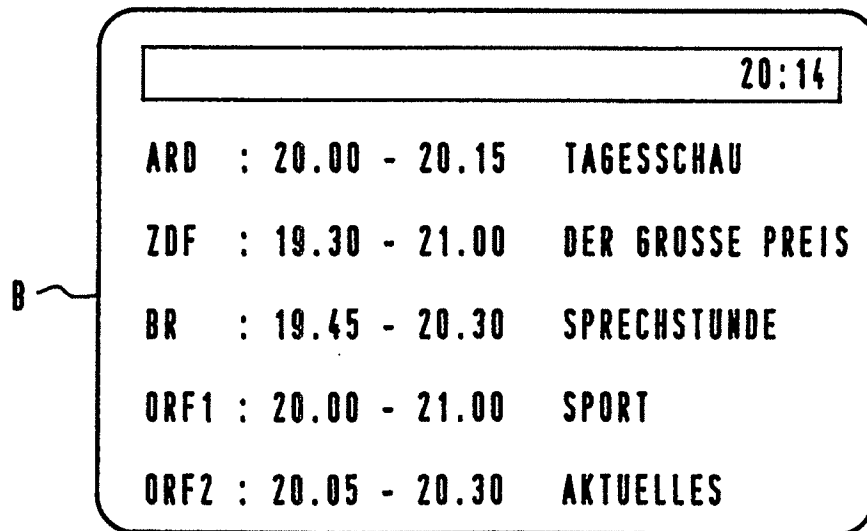


FIG 3

16.00 - 18.00		
ARD	: 15.45 - 18.15	XYZ
ZDF	: 16.00 - 17.00	A
	: 17.00 - 17.50	B
	: 17.50 - 18.05	C
ORF1	: 16.00 - 17.30	D
	: 17.30 - 18.06	E
	: .	.
	: .	.
	: .	.

FIG 4

SPORT		01.11.92
ARD	:	—
ZDF	:	17.00 - 17.20
ORF1	:	—
ORF2	:	20.00 - 20.30
	:	.
	:	.
	:	.

FIG 5

MENUE		
ZEIT	:	—
ZEITFENSTER	:	—
DATUM	:	—
THEMA	:	—